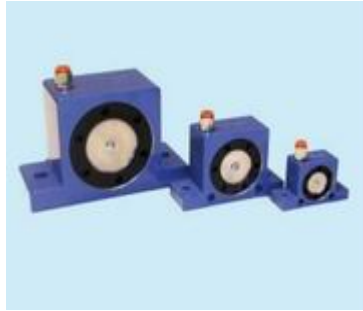


# R PNEUMATIC VIBRATORS

1.PICTURE:

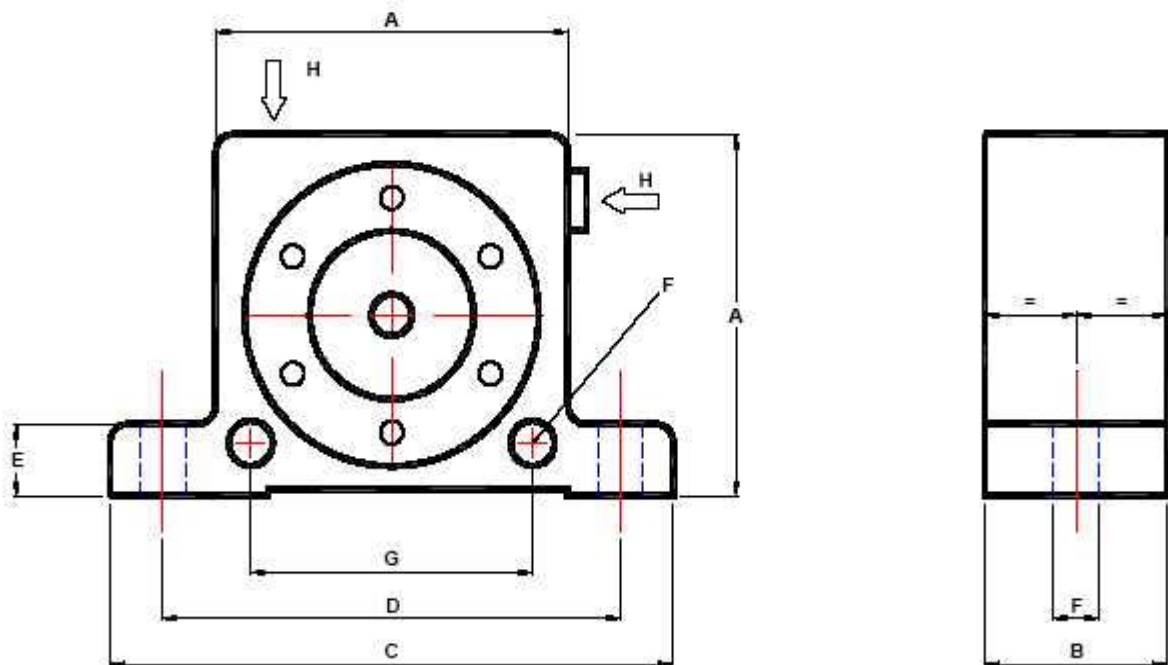


2.CHARACTERISTIC:

R series vibrator:

- Range of 5 models to meet your needs
- Centrifugal force from 1,070 to 12,500 N
- Max. operating temp. of 140°C (280°F)

3.DIMENSIONS:



\*\*\*The detail as follow\*\*\*

# R PENUMATIC VIBRATORS

型号	A		B		C		D		E		F		G		H	重量	
	mm	inch	mm	inch	mm	inch	mm	inch	mm	inch	mm	inch	mm	inch	BSP	kg	Lbs
R-50	50	1.97	29	1.14	86	3.38	68	2.68	12	0.47	7	0.27	40	1.57	1/8"	0.24	0.53
R-65	65	2.56	37	1.46	113	4.45	90	3.54	16	0.63	9	0.35	50	1.97	1/4"	0.545	1.2
R-80	80	3.15	43	1.69	128	5.04	104	4.09	16	0.63	9	0.35	60	2.36	1/4"	0.95	2.1
R-100	100	3.94	52	2.05	160	6.3	130	5.12	20	0.79	11	0.43	80	3.15	3/8"	1.181	4
R-120	120	4.72	77	3.03	194	7.64	152	5.99	24	0.94	17	0.67	N/A	3/8"	4.26	9.4	

## 5.FEATURES:

型号	频率 V.P.M			测得的离心力						空气消耗量/分钟					
	2Bar=29PSI	4Bar=58PSI	6Bar=87PSI	2Bar=29PSI		4Bar=58PSI		6Bar=87PSI		2Bar=29PSI		4Bar=58PSI		6Bar=87PSI	
				N	LBS	N	LBS	N	LBS	Ltr.	CF	Ltr.	CF	Ltr.	CF
R50	30600	37500	40500	1600	360	2400	540	2800	630	100	3.5	145	5.1	195	6.9
R65	22500	27900	29500	2800	630	4300	970	4900	1100	200	7	300	10.6	400	14.1
R80	20600	23000	25200	5200	1170	6500	1460	7800	1780	290	10.2	430	15.2	570	20.1
R100	14300	16400	17600	6400	1440	8400	1890	9700	2180	370	13	550	19.4	730	25.8
R120	11000	11700	12500	7900	1780	9000	2020	10300	2320	500	17.6	730	25.8	970	34.2