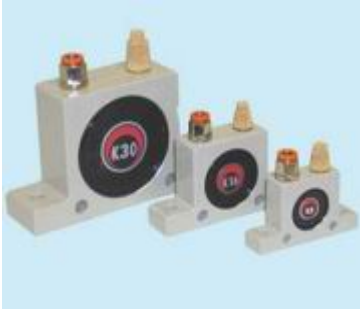


# K PNEUMATIC VIBATORS

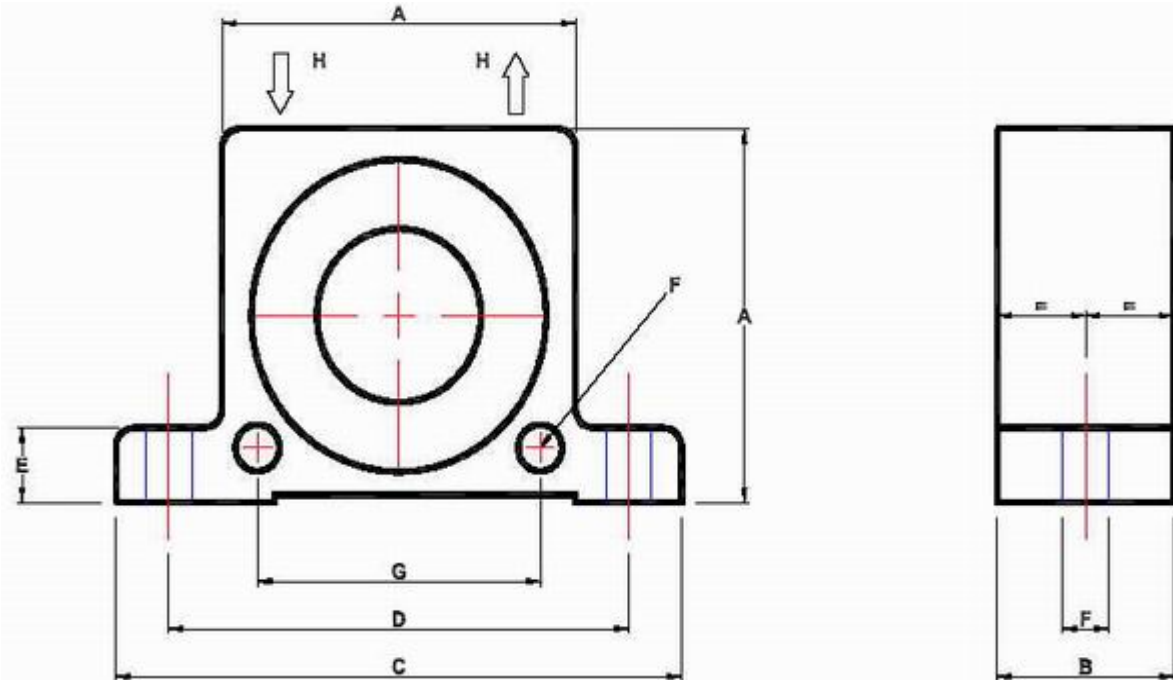
1.PICTURE:



2.CHARACTERISTIC:

Complete range to meet your needs  
Simplest version of vibrators  
Rotation frequency 7,000 to 35,000 RPM  
Centrifugal force 130 - 4,000 N

3.DIMENSIONS:



\*\*\*DETAILED DATA IN NEXT PAGE\*\*\*

# K PENUMATIC VIBRATORS

型号	A		B		C		D		E		F		G		H	重量	
	mm	inch	mm	inch	mm	inch	mm	inch	mm	inch	mm	inch	mm	inch	BSP	kg	Lbs
K-8																	
K-10	50	1.79	20	0.79	86	3.38	68	2.68	12	0.47	7	0.27	40	1.57	1/4"	0.13	0.29
K-13			24	0.94												0.23	0.57
K-16	65	2.56	27	1.06	113	4.45	90	3.45	16	0.63	9	0.35	50	1.97	1/4"	0.3	0.66
K-20			33	1.3												0.53	1.17
K-25	80	3.16	38	1.5	128	5.04	104	4.09	16	0.63	9	0.35	60	2.36	1/4"	0.63	1.39
K-30			44	1.73												1.13	2.49
K-36	100	3.94	50	1.97	160	6.3	130	5.12	20	0.79	11	0.43	80	3.15	3/8"	1.34	2.95

#### 4.FEATURES:

型号	频率V. P. M			测得的激振力						空气消耗/分钟					
	2Bar=29PSI		4Bar=58PSI	2Bar=29PS		4Bar=58PS		6Bar=87PS		2Bar=29PS		4Bar=58PSI		6Bar=87P	
	N	LBS		N	LBS	N	LBS	Ltr.	CF	Ltr.	CF	Ltr.	CF		
K8	24500	31000	35000	180	40	290	52	370	83	83	2.9	145	5.1	195	6.9
K10	21600	26800	30000	210	47	320	72	400	90	92	3.2	150	5.3	200	7.1
K13	16000	20800	23600	390	88	650	146	850	191	94	3.3	158	5.6	225	7.9
K16	14300	17600	20200	540	122	820	184	1090	245	122	4.3	200	7.1	280	9.9
K20	10700	14200	16000	760	171	1340	302	1700	382	130	4.6	230	8.1	340	12
K25	10100	13200	14500	1180	265	2000	450	2420	545	160	5.6	290	10.2	425	15
K30	7600	10000	11000	1530	344	2660	598	3210	722	215	7.6	375	13.2	570	20
K36	7500	9300	10300	2340	526	3590	808	4400	990	260	9.2	475	16.8	675	24