

DAR PNEUMATIC VIBRATORS

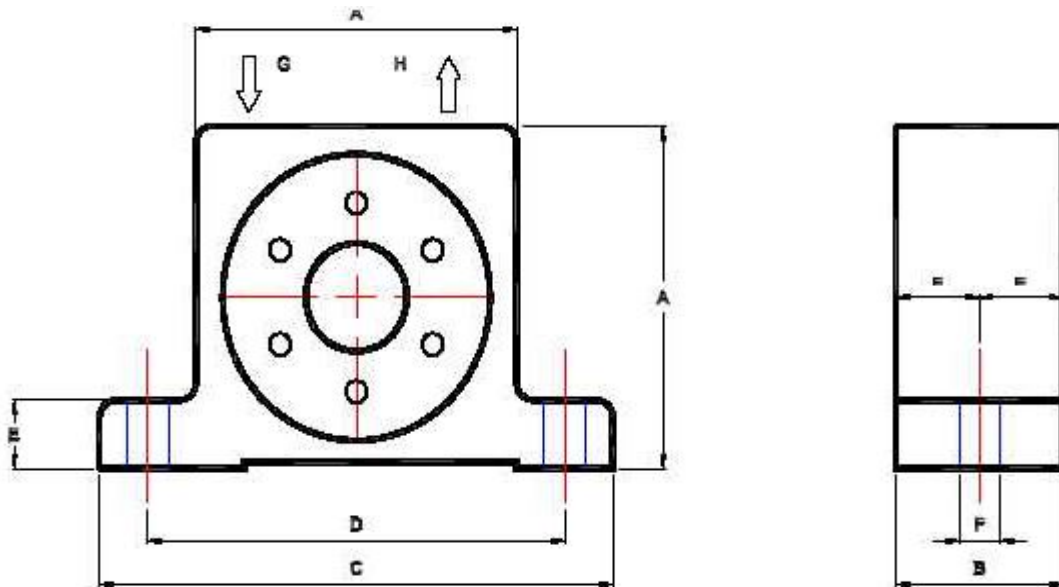
1.PICTURE:



2.CHARACTERISTIC:

- 6 models range to meet your needs
- Rotation frequency 8,000 to 38,000 RPM
- Centrifugal force from 1,700 to 12,000 N
- Max. operating temp. of 200°C (390° F)

3.DIMENSIONS:



The detail as follow

DAR PENUMATIC VIBRATORS

型号	A		B		C		D		E		F		G/H	重量	
	mm	inch	mm	inch	mm	inch	mm	inch	mm	inch	mm	inch	BSP	kg	Lbs
DAR 2	50	1.97	30	1.18	86	3.38	68	2.68	12	0.47	7	0.27	1/8"	0.370	0.82
DAR 3	65	2.56	36	1.42	113	4.45	90	3.54	16	0.63	9	0.35	1/4"	0.760	1.68
DAR 4	80	3.15	40	1.57	128	5.04	102	4.00	16	0.63	11	0.43	1/4"	1.270	2.80
DAR 5	100	3.94	52	2.05	160	6.30	130	5.12	20	0.79	13	0.51	3/8"	2.450	5.40
DAR 6	120	4.72	62	2.44	194	7.64	152	6.00	24	0.94	17	0.67	3/8"	4.700	10.35
DAR 7	120	4.72	77	3.03	194	7.64	152	6.00	24	0.94	17	0.67	3/8"	5.700	12.55

4.FEATURE:

型号	频率 V. P. M.			测得的激振力						空气消耗/分钟					
	2 29 Bar PSI	4 58 Bar PSI	6 87 Bar PSI	2 Bar N	29 PSI LBS	4 Bar N	58 PSI LBS	6 Bar N	87 PSI LBS	2 Bar Litr.	29 PSI CF	4 Bar Litr.	58 PSI CF	6 Bar Litr.	87 PSI CF
DAR 2	22500	36000	41000	450	100	1100	250	1500	340	70	2.5	140	4.9	200	7.0
DAR 3	16500	26000	31000	750	170	1900	430	2700	610	100	3.5	200	7.0	300	10.6
DAR 4	13000	20000	25000	1000	230	2500	560	3900	880	120	4.2	250	8.8	360	12.7
DAR 5	8000	14000	17000	1200	270	3700	840	5400	1220	130	4.6	270	9.5	390	13.8
DAR 6	6000	9000	10800	2200	500	4900	1100	7000	1580	170	6.0	320	11.3	470	16.6
DAR 7	5000	7000	10000	1400	320	4200	950	8500	1920	180	6.4	350	12.4	500	17.7