

# BMF-ST FLANGED VIBRATORS

Since 1972 OMB is specialized in designing and manufacturing electric and pneumatic vibrators which meet the specifications required by most fields of application using vibrating equipment. The superior quality and reliability of the OMB vibrators are the result of over thirty-years of vast experience in addition to continuous and constant research and innovation. The most up-to-date training remains a constant in every level of our organisation.

BMF-st FLANGED SERIES VIBRATOR are equipped with eccentric weights at different intensity and regulation through angular shifting between the superior and inferior parts, They are also equipped with a protection cover for the eccentric weights.

## 1.PICTURE:



## 2.CHARACTERISTIC:

Standard type 4 poles 50Hz or 6 poles 60Hz;

BF50、BF70 size have electric motor protection through thermistor (ptc)

On request for remaining sizes;

Considering the subjective use, the eccentric weights are not part of basic execution of the BMF vibrators.

OMB can supply special weights on request;

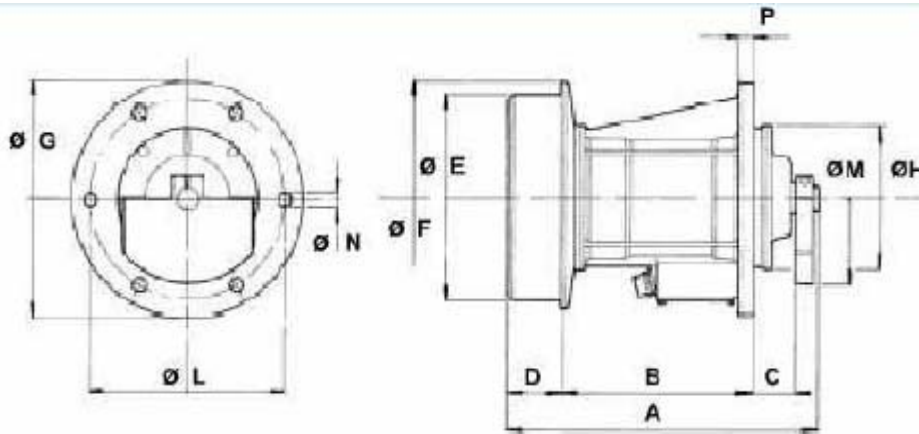
Mechanical seals with low friction,which guarantee a perfect protection;

Over-dimensioned bearings to guarantee the max.reliabilityfor the application in vertical axle

On request:

2P、6P vibrators; two speeds electric motors: 3000/1500RPM

## 3.DIMENSIONS:



CODICE CODE CODE CODE	TIPO TYPE TYPE TYP	GRAND. SIZE GRAND. GRÖSSE	DIMENSIONI D'INGOMBRO OVERALL DIMENSIONS COTES DIMENSIONS ABMESSUNGEN (mm)							DIMENSIONI DI FISSAGGIO FIXING DIMENSIONS DIMENSIONS FIXATIONS ABMESSUNGEN ZUR BEFESTIGUNG (mm)					
			A	B	C	D	E	F	G	H	L	M	FORI HOLES	N	P
			BF30-010S	BMF 1000/3-ST	BF15	414	238	50	86	219	258	290	180	250	154
BF30-015S	BMF 1500/3-ST	BF15	414	238	50	86	219	258	290	180	250	170	6	17	12
BF15-010S	BMF 1000/15-ST	BF15	414	238	50	86	219	258	290	180	250	250	6	17	12
BF15-015S	BMF 1500/15-ST	BF15	430	238	50	102	283	325	290	180	250	250	6	17	12

# BMF-ST FLANGED VIBRATORS

## 4.ELECTRIC FEATURES:

CODICE CODE KODE	TIPO TYPE TYP	GRAND. SIZE GRAND. GRÖSSE	CARATTERISTICHE MECCANICHE MECHANICAL FEATURES CARACTERISTIQUES MECANICIQUES MECHANISCHE DATEN						CARATTERISTICHE ELETTRICHE ELECTRICAL FEATURES CARACTERISTIQUES ELECTRIQUES ELEKTRISCHE DATEN					
			rpm rpm st/min min-1		激振力 kg		重量 kg		POTENZA NOM. INPUT POWER PUISSANCE NOM. NENNLEISTUNG (W)		CORR. NOM. NOM. CURRENT COURANT NOM. NENNSTROM (A)		RAPP. IA/IN IS/IN RATIO RAPP. ID/IN IA/IN VERH.	
			50Hz	60Hz	50Hz	60Hz	50Hz	60Hz	50Hz	60Hz	400V 50Hz	460V 60Hz	50Hz	60Hz
BF30-010S	BMF 1000/3-ST	BF15	3000	3600	939	794	40	39	1150	1300	1,85	1,85	5,2	6,1
BF30-015S	BMF 1500/3-ST	BF15	3000	3600	1222	1276	42	41	1800	2000	3	2,9	4,6	5,5
BF15-010S	BMF 1000/15-ST	BF15	1500	1800	698	798	43	41	950	1100	1,5	1,5	4,1	4,4
BF15-015S	BMF 1500/15-ST	BF15	1500	1800	1063	1169	46	44	1200	1250	2,5	2	4,2	4,7