

# BGF FIXED WEIGHT VIBRATORS

Since 1972 OMB is specialized in designing and manufacturing electric and pneumatic vibrators which meet the specifications required by most fields of application using vibrating equipment. The superior quality and reliability of the OMB vibrators are the result of over thirty-years of vast experience in addition to continuous and constant research and innovation. The most up-to-date training remains a constant in every level of our organisation.

OMB vibrators motors BGF series are characterized by the fixed eccentric weight ,inside the motor body .Vibration intensity si not adjustable;this feature makes the OMB vibrator BGF very simple ,cheap and efficient .They are widely employed in shaking bay filters or emptying bin hoppers,in addition to other countless applications.

## 1.PICTURE:

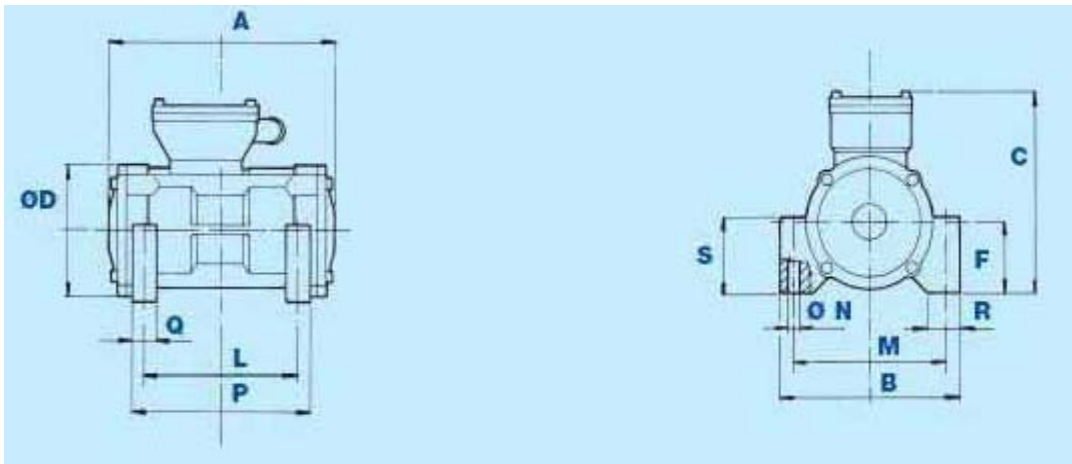


## 2.CHARACTERISTIC:

Standard three phase voltage input;  
Standard type 2、4poles。

On request: H insulation class.  
6、8poles;  
Single phase

## 3.DIMENSIONS:



CODICE CODE CODE KODE	TIPO TYPE TYPE TYP	GRAND. SIZE GRAND. GRÖSSE	DIMENSIONI D'INGOMBRO OVERALL DIMENSIONS COTES DIMENSIONS ABMESSUNGEN (mm)					DIMENSIONI DI FISSAGGIO FIXING DIMENSIONS DIMENSIONS FIXATIONS ABMESSUNGEN ZUR BEFESTIGUNG (mm)								
			A	B	C	∅ D	F	L	M	∅ N	P	Q	R	S	FORI HOLES	PG
			FF30-0005	BGF 50/3	F100	180	145	153	103	56	122	122	11	146	22	27
FF30-0010	BGF 100/3	F100	180	145	153	103	56	122	122	11	146	22	27	60	4	11
FF30-0015	BGF 150/3	F200	206	164	170	115	61	140	140	11	163	23	30	66	4	11
FF30-0020	BGF 200/3	F200	206	164	170	115	61	140	140	11	163	23	30	66	4	11
FF30-0030	BGF 300/3	F500	230	193	187	138	73	164	164	13	192	28	38	77	4	11
FF30-0050	BGF 500/3	F500	230	193	187	138	73	164	164	13	192	28	38	77	4	11

# BGF FIXED WEIGHT VIBRATORS

## 4.ELECTRIC FEATURES:

CODICE CODE CODE CODE	TIPO TYPE TYPE TYP	GRAND. SIZE GRAND. GRÖSSE	CARATTERISTICHE MECCANICHE MECHANICAL FEATURES CARACTERISTIQUES MECANIKUES MECHANISCHE DATEN					CARATTERISTICHE ELETTRICHE ELECTRICAL FEATURES CARACTERISTIQUES ELECTRIQUES ELEKTRISCHE DATEN							
			rpm rpm tr/min min-1		MOMENTO STAT. STATIC MOMENT MOMENT STAT. STAT. MOMENT (kgmm)	激振力 kg		重量 kg		POTENZA NOM. INPUT POWER PUISSANCE NOM. NENNLEISTUNG (W)		CORR. NOM. NOM. CURRENT COURANT NOM. NENNSTROM (A)		RAPP. IA/IN IS/IN RATIO RAPP. ID/IN IA/IN VERH.	
			50Hz	60Hz	50Hz-60Hz	50Hz	60Hz	50Hz -60Hz	50Hz	60Hz	400V 50Hz	460V 60Hz	50Hz	60Hz	
FF30-0005	BGF 50/3	F100			7,85	79	114	5,3	125	170	0,25	0,30	3,6	3,5	
FF30-0010	BGF 100/3	F100	3	3	10,0	101	145	5,6	140	190	0,28	0,33	3,2	3,2	
FF30-0015	BGF 150/3	F200	0	6	14,6	147	213	7,1	180	205	0,37	0,37	3,6	3,8	
FF30-0020	BGF 200/3	F200	0	0	21,1	212	306	7,5	190	215	0,39	0,38	3,6	3,8	
FF30-0030	BGF 300/3	F500	0	0	28,5	287	413	12,5	380	450	0,73	0,74	5,0	5,3	
FF30-0050	BGF 500/3	F500			42,7	430	619	13,1	420	500	0,81	0,82	4,5	4,8	