

FW SERIES VIBRATORS

Freway company has advanced equipments, unique process, perfect test system and scientific quality control. 50 percent company's products are exported to Europe, United States and other countries..

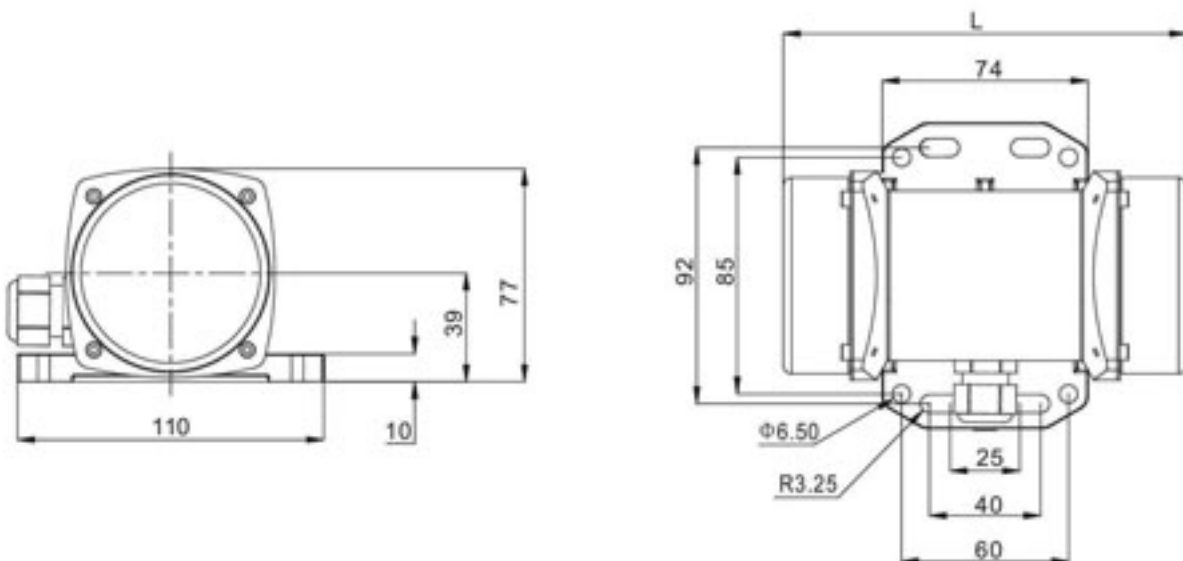
Freway demands for products is Quality lies first and the company should have deep concern about the consumers. FREWAY is willing to provide warm service and excellent technique to make consumers' products maintain their best state.

FW4、FW20 MICRO ELECTRIC VIBRATORS

1.PICTURE:



2.DIMENSIONS:



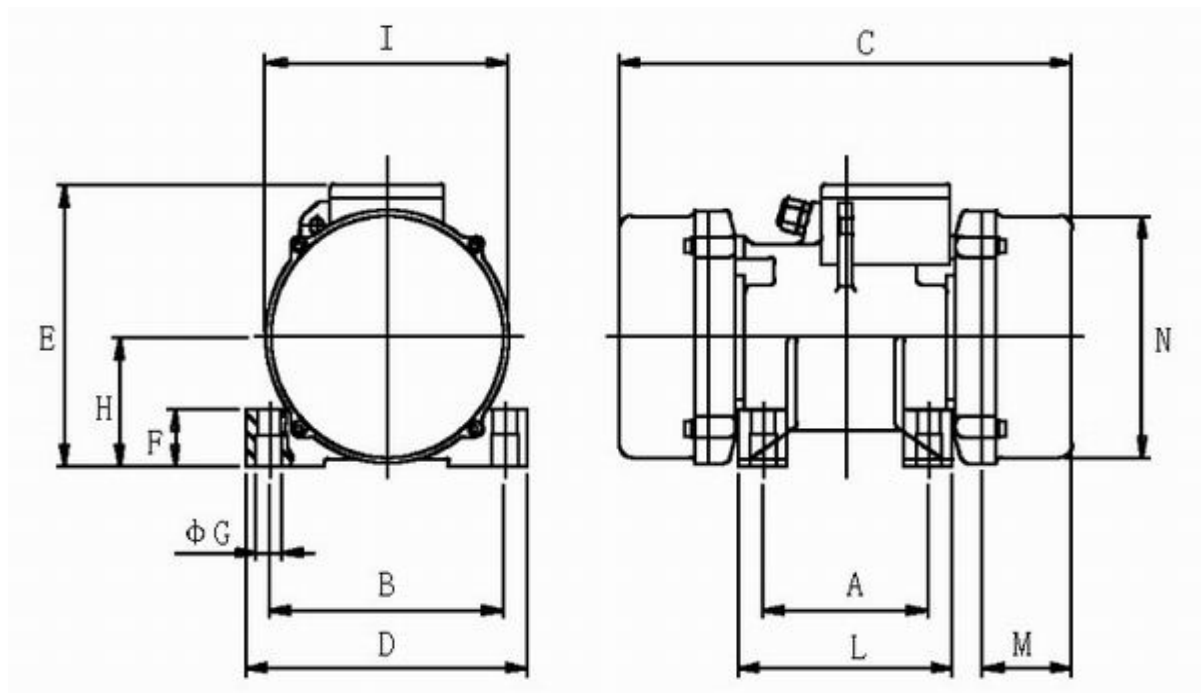
FW SERIES VIBRATORS

FW60、FW100 VIBRATORS

1.PICTURE:



2.DIMENSIONS:



TYPE	A	B	C	D	E	F	G	H	I	L	M	N
FW60	62-74	106	195	130	130	25	Φ9.0	46	102	98	37	82
FW100	62-74	106	210	130	130	25	Φ9.0	46	102	98	48	82

FW VIBRATORS

3.FW ELECTRIC FEATURES:

型号	功率 (w)	电压 (v)	相数	频率 (Hz)	电流 (A)	转速 (rpm)	振动力 (kg)	重量 (kg)
TYPE	POWER	Vot.	PHASE	Frg.	Current	Speed	C. F.	W. T.
FW4	20	220	1	50	0.13	3000	5	1.3
FW4	22	220/380	3	50	0.09	3000	5	1.3
FW4	24	110	1	60	0.3	3600	5	1.3
FW20	33	110	1	60	0.23	3600	33	1.5
FW20	30	220	1	50	0.12	3000	30	1.5
FW20	30	220/380	3	50	0.09	3000	30	1.5
FW60	70	220	1	50	0.4	3000	70	4.5
FW60	70	220/380	3	50	0.16	3000	70	4.8
FW60	80	110	1	60	0.39	3600	80	4.5
FW100	95	220	1	50	0.54	3000	99	5.1
FW100	90	220/380	3	50	0.19	3000	100	5.3
FW100	100	110	1	60	0.65	3600	110	5.1