


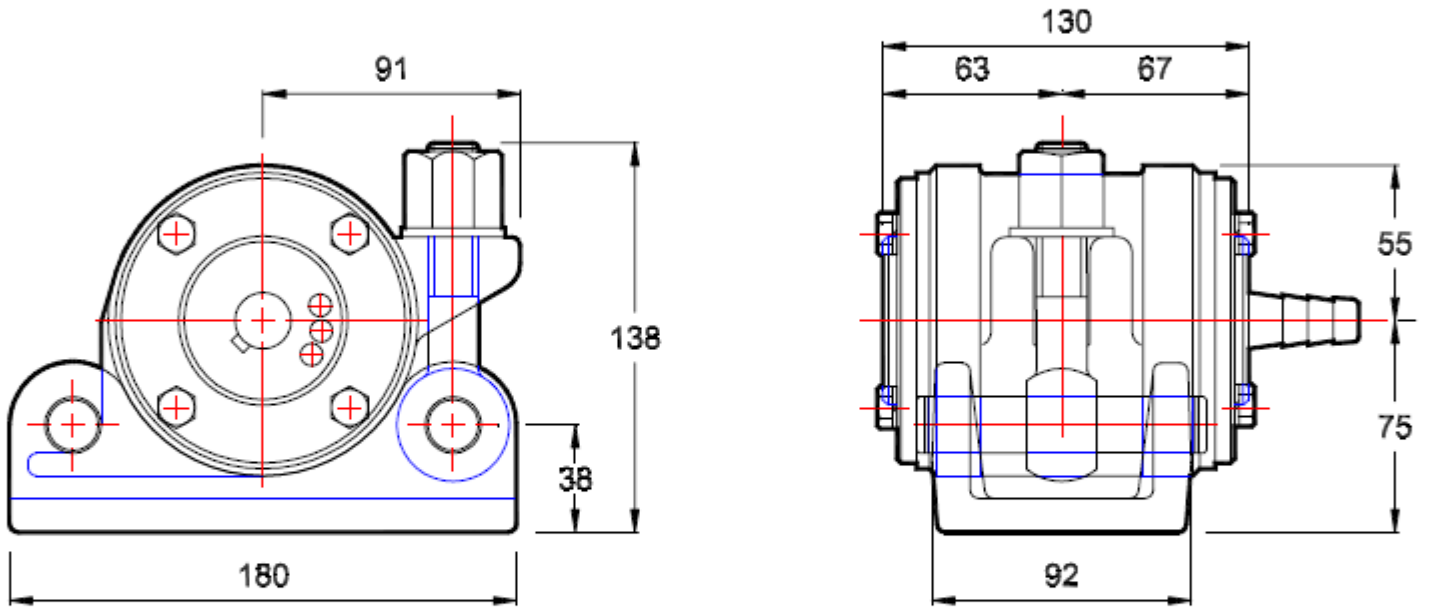
PNEUMATIC EXTERNAL VIBRATORS

MODEL VAQ

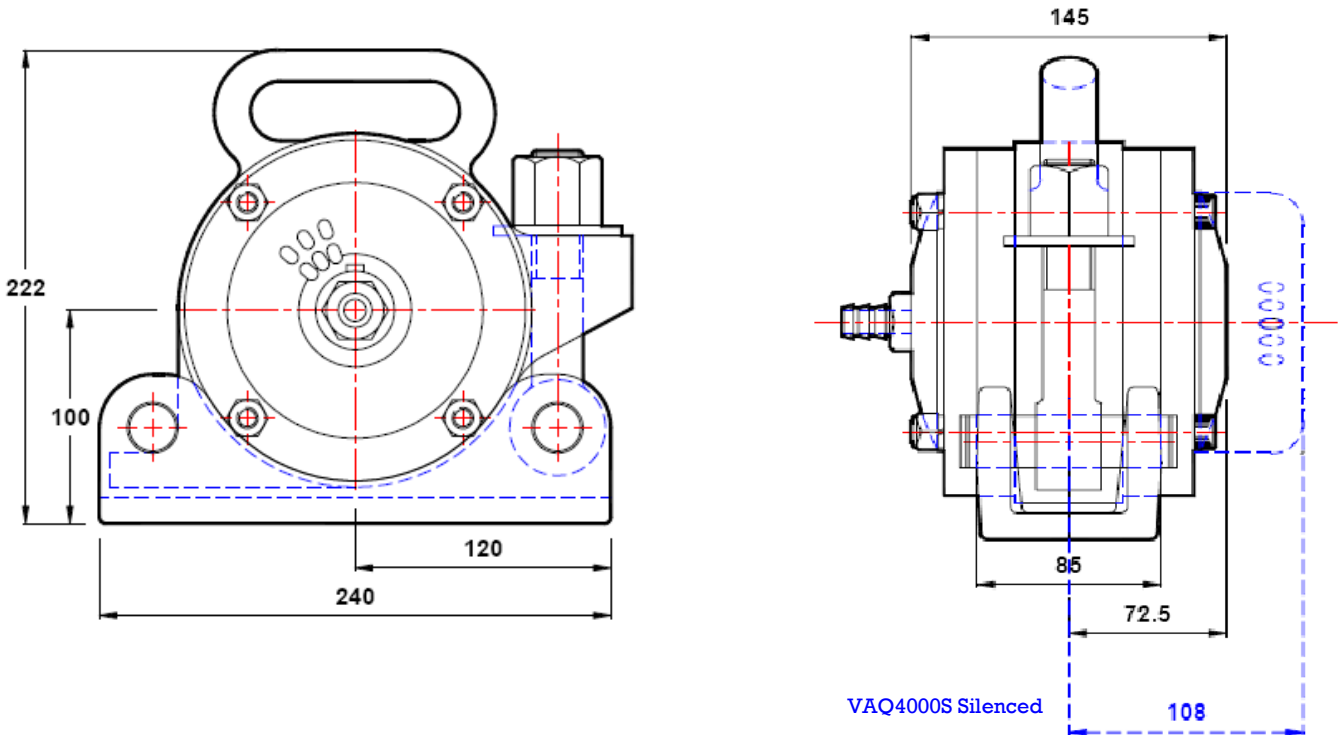
- Rotary Vibration
- Force 750 kg to 6000 kg
- Variable Force / Frequency by air pressure
- Quick Release

On request can be supplied with ATEX certification
To ATEX 95 94/9/EC  II 2 G & D Zone 1, 2 & 21, 22

VAQ 75 & 120 fitted to QR2 weld-on bracket



VAQ 2500, 4500 & 6000 fitted to QR4 weld-on bracket



TECHNICAL CHARACTERISTICS

TYPE	VAQ 75	VAQ 120	VAQ 2500	VAQ 4000	VAQ 4000S	VAQ 4500	VAQ 6000
C' Force (kgs)	750	1200	2500	4000	4000	4500	6000
Amplitude (mm)	1.2	1.5	3.8	2.1	5.9	6.7	3.1
Frequency (v.p.m.)	13000	13000	9000	15000	8500	8500	14500
Air / con (L/m)	1170	1170	1450	1630	1500	1660	1840
Weight (kgs)	7.9	8	13.2	15.8	18	16.5	17.0
Weld-on Bracket	QR2	QR2	QR4	QR4	QR4	QR4	QR4

NOTE : Special silenced version VAQ4000S has noise level of 90 dBA.
Performance data established in free air with a supply pressure of 6 bar (87 P.S.I.)