



PNEUMATIC BALL VIBRATORS

MODEL US

Manufactured from high ductile iron

Fitted with hardened steel races

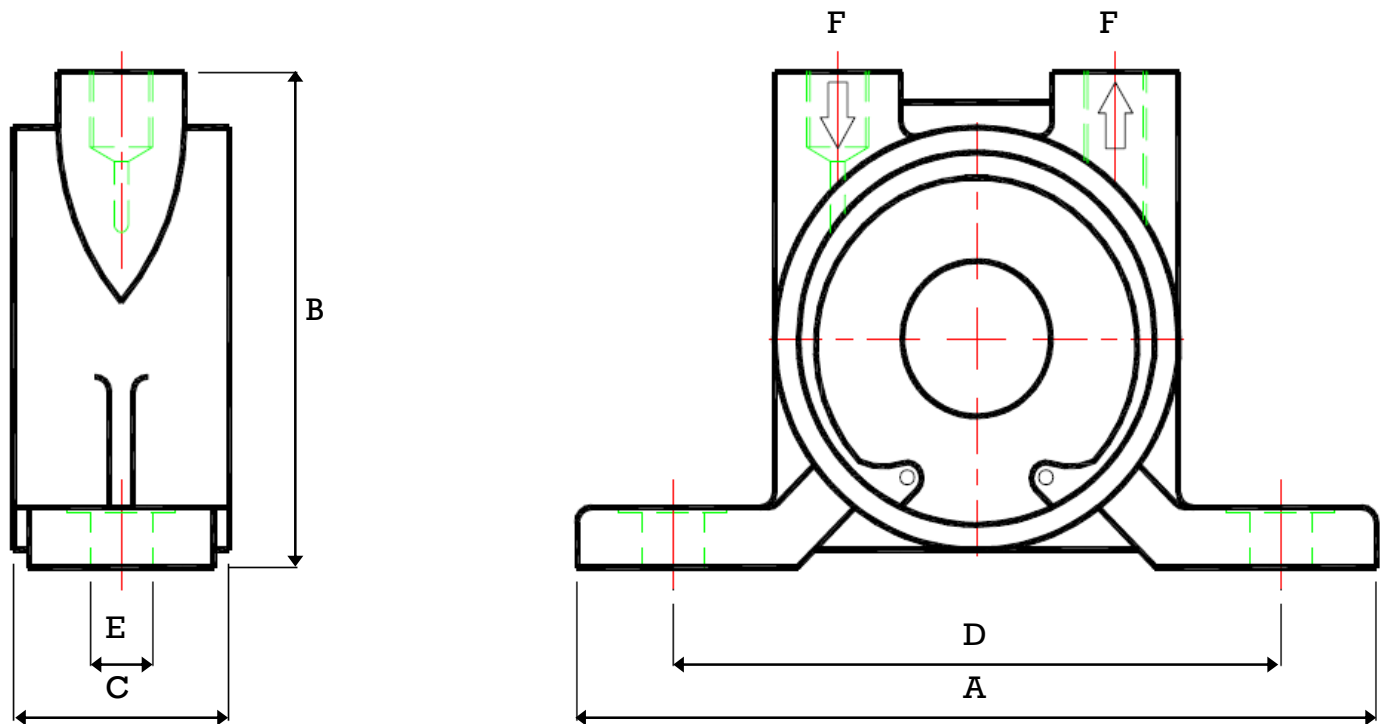
Unit can be used in dusty or wet environments

Suitable for temperatures up to 121°C

Force and frequency adjustable by air pressure

Assists the flow of material from chutes and hoppers

Force from 201N to 2700N



PERFORMANCE DATA

MODEL	20 P.S.I. (1.4 Bar)			40 P.S.I. (2.8 Bar)			60 P.S.I. (4.1 Bar)		
	Speed Vpm	Flow L/min	Force N	Speed Vpm	Flow L/min	Force N	Speed Vpm	Flow L/min	Force N
US 13	13000	186	201	18000	300	370	20000	438	490
US 19	8700	156	411	11000	234	701	13000	348	921
US 25	6300	198	601	8400	348	1100	9100	462	1200
US 38	4300	342	1200	5600	546	1201	6000	720	2400
US 44	3500	486	1500	4300	780	2301	4700	1020	2699

DIMENSIONS

MODEL	Weight kgs	A mm	B mm	C mm	D mm	E mm	F BSP
US 13	0.54	132	68	30	100	10	1/4"
US 19	1.00	130	86	38	100	10	1/4"
US 25	1.60	167	99	45	127	13	1/4"
US 38	3.50	200	137	58	152	17	3/8"
US 44	4.60	226	147	66	177	17	1/2"