




PNEUMATIC LINEAR VIBRATORS

MODEL FP

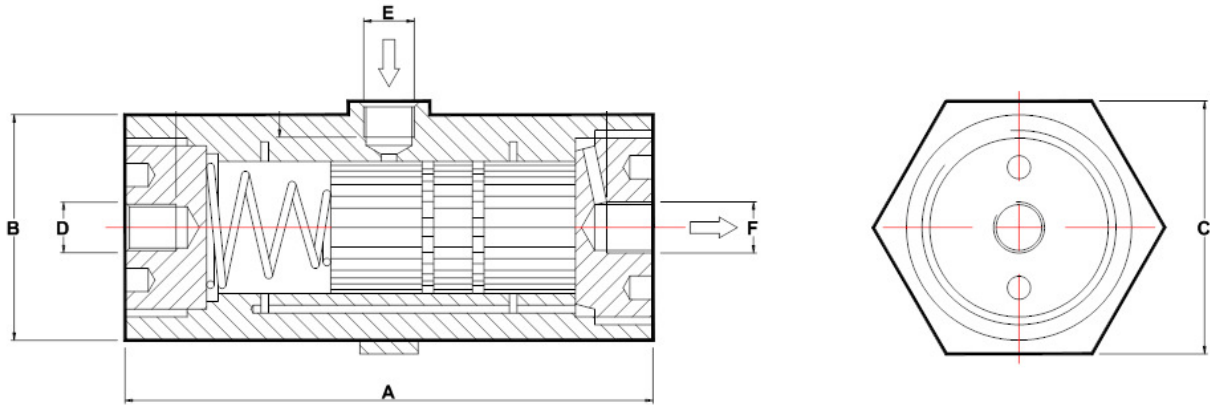
- Linear Vibration
- Ideal for arduous conditions
- Force 34 N to 4270 N
- Frequency and amplitude adjustable independently
- Suitable for temperature up to 50 °C

On request can be supplied with ATEX certification
To ATEX 95 94/9/EC  II 2 G & D Zone 1, 2 & 21, 22

PERFORMANCE DATA

TYPE	Frequency V.P.M.			Linear Force Measured						Air Consumption / Minute						Noise Level	
	2 Bar 29 PSI	4 Bar 58 PSI	6 Bar 87 PSI	2 Bar N	29 PSI lbs	4 Bar N	58 PSI lbs	6 Bar N	87 PSI lbs	2 Bar litr	29 PSI CFM	4 Bar litr	58 PSI CFM	6 Bar litr	87 PSI CFM	A** dB	A*** dB
FP-12-S	6200	7800	9300	34	7.7	70	16	92	21	0.8	0.03	7.5	0.26	25	0.88	57-61	N/A
FP-12-M	5000	6000	6700	37	7.7	58	13	74	17	0.5	0.02	4	0.14	19	0.67	57-61	N/A
FP-12-L	4000	4800	5400	32	7.2	58	13	81	18	1	0.04	3	0.11	20	0.71	58-60	N/A
FP-18-S	5000	6400	7700	66	15.0	134	30	187	42	5	0.18	33	1.16	57	2.00	62-71	N/A
FP-18-M	4000	5000	5900	68	15.0	134	30	188	42	4	0.14	28	1.00	52	1.84	61-67	N/A
FP-18-L	3100	4000	4600	64	14.0	150	34	206	46	5	0.18	23	0.81	46	1.62	61-68	N/A
FP-25-S	3600	4300	5500	126	28	270	61	416	94	13	0.46	54	1.91	93	3.28	70-75	61-67
FP-25-M	3000	3800	4200	142	32	364	82	504	113	23	0.81	50	1.76	87	3.07	73-75	62-66
FP-25-L	2400	3100	3700	186	42	392	88	594	134	18	0.64	62	2.19	93	3.28	72-75	60-65
FP-35-S	2800	4700	5800	294	66	668	150	1038	234	23	0.81	101	3.56	162	5.72	72-77	71-73
FP-35-M	3000	4000	4600	248	56	778	175	1080	243	24	0.84	83	2.93	141	4.98	74-78	70-73
FP-35-L	2400	3100	3600	282	63	680	153	1066	240	38	1.34	89	3.14	135	4.77	74-78	68-74
FP-50-M*	1850	2300	2800	490	110	970	218	1600	360	48	1.67	100	3.48	190	6.61	70-77	N/A
FP-60-M*	1950	2400	2700	610	137	1400	315	2170	489	90	3.13	160	5.57	270	9.39	73-79	N/A
FP-95-M*	1800	2400	2800	1500	338	2620	590	4270	962	170	5.91	320	11.13	450	15.65	85-92	N/A

NOTE ** With customary silencer *** With 1/4" Free Flow Silencer



DIMENSIONS

TYPE	A		B		C		D Metric Thread	E BSP Thread	E1 BSP Thread	F BSP Thread	Weight of Body		Weight of Piston		Total Weight	
	mm	inch	mm	inch	mm	inch					kg	lbs	kg	lbs	kg	lbs
FP-12-S	71	2.80	31	1.22	34	1.34	M8	1/8"	N/A	1/8"	0.125	0.275	0.020	0.045	0.145	0.320
FP-12-M	81	3.19	31	1.22	34	1.34	M8	1/8"	N/A	1/8"	0.140	0.309	0.030	0.066	0.170	0.375
FP-12-L	94	3.70	31	1.22	34	1.34	M8	1/8"	N/A	1/8"	0.165	0.360	0.040	0.090	0.205	0.450
FP-18-S	81	3.19	40	1.57	42	1.65	M10	1/8"	N/A	1/8"	0.220	0.485	0.060	0.135	0.280	0.620
FP-18-M	94	3.70	40	1.57	42	1.65	M10	1/8"	N/A	1/8"	0.260	0.575	0.080	0.175	0.340	0.750
FP-18-L	109	4.29	40	1.57	42	1.65	M10	1/8"	N/A	1/8"	0.300	0.660	0.110	0.240	0.410	0.900
FP-25-S	98	3.86	48	1.89	50	1.97	M12	1/8"	N/A	1/4"	0.375	0.825	0.155	0.345	0.530	1.170
FP-25-M	116	4.57	48	1.89	50	1.97	M12	1/8"	N/A	1/4"	0.435	0.955	0.215	0.475	0.650	1.430
FP-25-L	136	5.35	48	1.89	50	1.97	M12	1/8"	N/A	1/4"	0.500	1.100	0.290	0.640	0.790	1.740
FP-35-S	98	3.86	58	2.28	65	2.55	M12	1/4"	N/A	1/4"	0.530	1.168	0.315	0.694	0.845	1.862
FP-35-M	116	4.57	58	2.28	65	2.55	M12	1/4"	N/A	1/4"	0.610	1.344	0.430	0.947	1.040	2.292
FP-35-L	136	5.35	58	2.28	65	2.55	M12	1/4"	N/A	1/4"	0.700	1.543	0.530	1.278	1.280	2.281
FP-50-M*	154	6.07	84	3.31	N/A	N/A	N/A	1/4"	1/4"	1/4"	1.750	3.858	1.500	3.307	3.250	7.165
FP-60-M*	154	6.07	94	3.70	N/A	N/A	N/A	1/4"	3/8"	1/4"	2.100	4.629	2.150	4.740	4.250	9.369
FP-95-M*	156	6.15	140	5.52	N/A	N/A	N/A	3/8"	3/8"	N/A	4.500	9.921	4.900	10.802	9.400	20.723

*NOTE The FP-50-M, FP-60-M and FP-90-M are supplied with square base plates (G) attached for alternative fixing using 4 off bolts instead of the M16 single stud. This increases the overall length by 19-20mm (H).

Plate Dimensions are

FP-50-M 90 mm x 90 mm x 20 mm thick
 FP-60-M 110 mm x 110 mm x 20 mm thick
 FP-95-M 150 mm x 150 mm x 19 mm thick

4 Holes 8.8 mm dia. 72 mm x 72 mm pitch
 4 Holes 8.8 mm dia. 90 mm x 90 mm pitch
 4 Holes 13.0 mm dia. 124 mm x 124 mm pitch

